

Magic Mirror

VIRTUAL DRESSING KIOSK





Accurate Body Measurement

Using Kinect to detect the features point of the body such as shoulders, chest, waist and legs, Magic Mirror™ is able to take the body measurements in a matter of seconds, ensuring each apparel to fit perfectly over the body.

Real Time Virtual Fitting

Magic Mirror™ presents realistic 3D product models which are scaled to virtually fit onto your body and sync with your body movement within the live video feed – allowing you to see the virtual fitting from different angles, even the folds of the fabrics as they twist and turn.

Realistic 3D Garments


Images of garments or accessories such as hat, glasses, etc. are processed with the fabric textures and details, and then rendered into 3D product models using advanced cloth modelling techniques with cloth physics engine.

Features ▾

- ▶ 2D/3D virtual fitting on garments or accessories
- ▶ Category menu
- ▶ Detailed product info
- ▶ Background removal
- ▶ Take photo or video
- ▶ Gesture control
- ▶ Kinect body tracking
- ▶ Data input via touchscreen
- ▶ Email and social media sharing
- ▶ Download photo via QR code or weblink
- ▶ Photo printing capability
- ▶ Product recommendation engine

Managing a Virtual Dressing Kiosk ▾

Edit Product

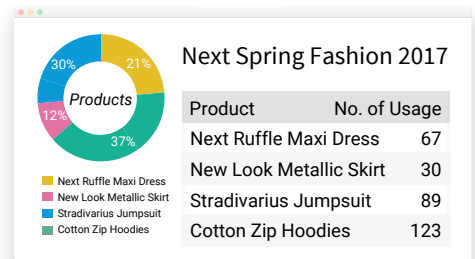


Name

Currency

Price

Destination URL



Assets Management

Upload assets such as garment images, brand logo, photo frames, etc. via control panel.

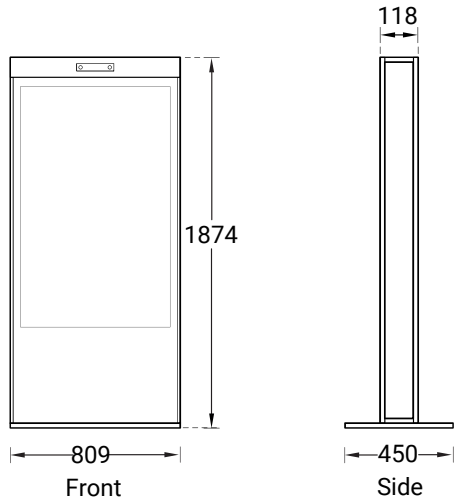
3D Assets Rendering

By providing the 2D garments images, our team of graphic designers can help you to render and create the photo-realistic garments in 3D format.

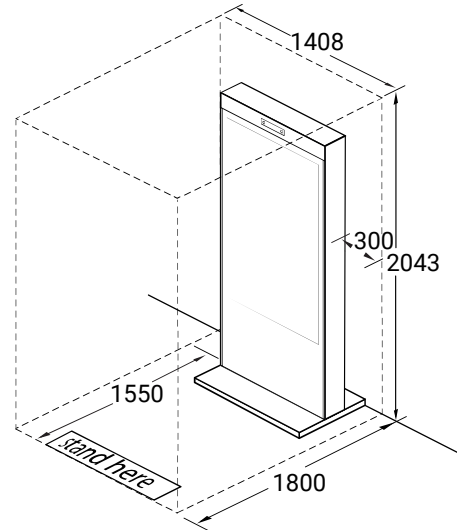
Usage Analytics

Quantifying the garments' popularity based on the analytics data such as no. of views per item, viewers by age group, viewers by gender, etc.

55" Interactive Digital Signage



Dimension of Magic Mirror (mm):
809 (W) X 1874 (H) X 450 (D)



Minimum Clear Space Requirement (mm):
1408 (W) X 2043 (H) X 1800 (D)

General Specifications

Power Voltages	110-220V (50 -60 Hz)
Power Consumption	≤180W

Processing Unit

System Memory	Kingston 4GB (min.) DDR3 RAM
Graphics Card	NVIDIA GeForce GT-730M
Primary Storage	Kingfast 128GB SSD
Operation System	Windows 8 64-bit or above
Processor	Intel Core i3-4130 CPU @3.4GHz

Display Unit

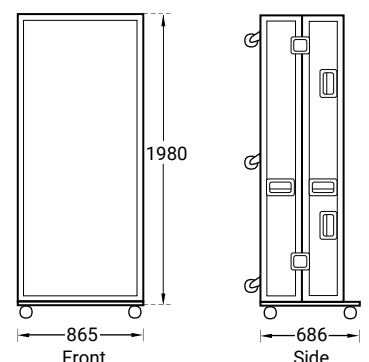
Active Display Area	684.9mm x 1217.6mm
Display Ratio	16 : 09
Resolution	1920 x 1080
Brightness	350cd/m2
Diagonal Size	55" Widescreen
Contrast Ratio	1300 : 01
Sound Power	2 x 10 W

Warranty and Support

Warranty	1 year manufacturer warranty from date of purchase
Support	Technical support is available through email and over the phone with support contract

Flight Case (Optional Add-Ons)

Dimension	865 x 686 x 1980 mm (WxDxH)
Weight	50kg Approx.
Max Load	500kg
Material	ABS black Polymer Plastic
Lock	Butterfly Latch (4 units)
Handle	Side Spring Handles (4 on each side) (Horizontal and Vertical Position) Top Handle Bar (full width)
Castor Wheels	built-in brake / Max Load: 500kg
Interior	Protective foam layer



Touch Panel

Speed of Response	3 - 8 ms
Touch Area	Full Screen
Cursor Speed	80 - 120 point/ms
Input	55" capacitance touch
Power Consumption	0.5 W - 2 W

Body Sensor (Microsoft Kinect Sensor)

Connectivity	V3.0
Output	USB Cables
Depth Camera	512 x 424 (30 Hz)
Colour Camera	1920 x 1080 (15 - 30 Hz)
Active Infrared Capabilities	512 x 424 (30 Hz)

Cabinet & Glass

Dimension	809 (W) x 1874 (H) x 450 (D)
Weight	150 kg (approx.)
Casing	Metal Cabinet with Fine Finishing
Colour	Black
Glass Thickness	5mm Tempered Glass

Use Cases ▾



All-in-One Package ▾ GBP 5,900 +VAT per unit

Hardware

- ✓ Metal cabinet with matt black finishing
- ✓ 55" large format display with full touchscreen capacity
- ✓ Microsoft Kinect body sensor
- ✓ Powerful processing units with dedicated graphics card
- ✓ 3mm tempered glass
- ✓ Optional full one-way mirror

Software

- ✓ 2D/3D virtual dressing
- ✓ Background removal
- * Inclusive of 5x virtual dressing 3D assets

Control Panel

- ✓ Event and app management
- ✓ Branding and graphics customization capability
- ✓ Email and social media configuration
- ✓ Usage analytics
- ✓ Online photo gallery
- ✓ User data harvesting

Optional Extra

Services / Equipment	Price (GBP) +vat
3D Assets Rendering	
- Fashion Garment	45
- Wedding Dress	85
- Fun Costume	65
- Accessories (e.g. hat, bag, glasses)	35
2D Assets Customization (Fashion Garment)	5
Custom Photo Frame	35
HTML Layout Reskin (per page)	35
Onsite Event Support (per day)	170
Flight Case	900
Wayfinding Map Creation (per shop)	10
RFID Hardware (excluding tag)	450
Custom App Development	POA