

MAGIC MIRROR for Wedding Boutiques

POWERFUL

Magic Mirror equipped with the most advanced hardware and the cutting-edge software, all in one solution. Equipped with the 55" full touch screen capacity together with Kinect body sensor, Magic Mirror is able to create a revolutionized gown fitting experience, without the trouble of changing in and out of different gowns.

SELF-MANAGEABLE AND LOW MAINTENANCE

Magic Mirror is very cost-effective to maintain. It comes with an enterprise class content management system to upload, schedule and distribute digital content of different units from a central location. Designed to be straightforward and user friendly, so it doesn't require a technical guy to operate.

MULTIFUNCTIONAL

Magic Mirror virtual fitting apps are developed using the latest augmented reality technology to create revolutionized gown hunting process, facilitating brides-to-be in searching for their 'dream gown' and alleviating some of their physical and mental stress.

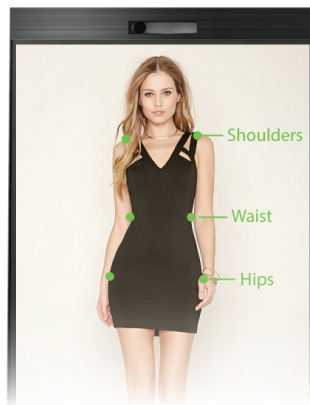


Key Features



Blend into Wedding Boutique's Interior

Magic Mirror can be flush mounted into a wall or a cubicle that make it looks like a normal mirror in the wedding boutique, to better fit with the store's interior.



Intelligent 3D Body Scanning

Using Kinect to detect the features point of the body such as shoulders, chest, waist and legs, Magic Mirror is able to take the body measurements in a matter of seconds, ensuring each dress design to fit perfectly over the body.

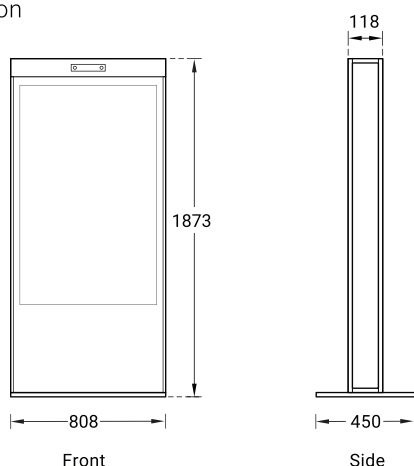


3D Virtual Gown Fitting Experience

Combining with 3D body scanning technology, 3D product models are scaled to virtually fit onto shoppers' body within the live video feed. This allows shoppers to see the virtual fitting in 360° view, even the folds of the fabrics as they twist and turn, giving them a solid idea on what styles will potentially look the best on them, without the trouble of changing in and out of different gowns.

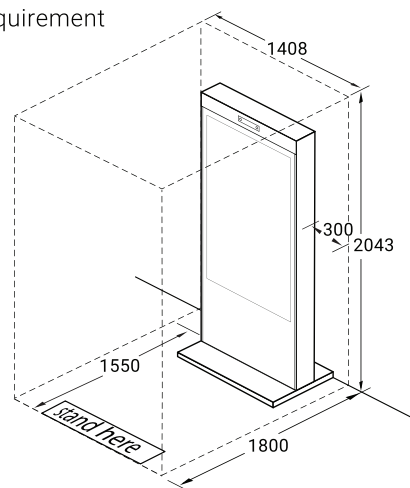
55" Interactive Digital Signage

Dimension



Dimension of Magic Mirror (mm):
808 (W) X 1873 (H) X 450 (D)

Space Requirement



Minimum Clear Space Requirement(mm):
1408 (W) X 2043 (H) X 1800 (D)

GENERAL SPECIFICATIONS

Power Voltages	110 - 220V (50 - 60 Hz)
Power Consumption	≤180W

PROCESSING UNIT

System Memory	Kingston 4 GB (min.) DDR3 RAM
Graphics Card	NVIDIA GeForce GT-730M
Primary Storage	Kingfast 128GB SSD
Operating System	Windows 8 64-bit or above
Processor	Intel Core i3-4130 CPU@ 3.4GHz

DISPLAY UNIT

Active Display Area	684.9mm x 1217.6mm
Display Ratio	16 : 09
Resolution	1920 x 1080
Brightness	350cd/m2
Diagonal Size	55" Widescreen
Contrast Ratio	1300 : 01
Sound Power	2 x 10 W

WARRANTY AND SUPPORT

Warranty	1 year manufacturer warranty from date of purchase
Support	Technical support is available through email and over the phone with support contract

TOUCH PANEL

Speed of Response	3 - 8 ms
Touch Area	Full screen
Cursor Speed	80 -120 point/ms
Input	55" capacitance touch
Power Consumption	0.5 W - 2 W

BODY SENSOR (MICROSOFT KINECT SENSOR)

Connectivity	V3.0
Output	USB Cables
Depth Camera	512 x 424 (30 Hz)
Colour Camera	1920 x 1080 (15 - 30 Hz)
Active Infrared Capabilities	512 x 424 (30 Hz)

CABINET & GLASS

Dimension	808.2 (W) x 1873.1 (H) x 450 (D)
Weight	150 kg (approx.)
Casing	Metal Cabinet with Fine Finishing
Colour	Black
Glass Thickness	3mm Tempered Glass

WEDDING BOUTIQUE'S PACKAGE

£ 5,900 + VAT
per unit

What's Included:

- Metal cabinet with full equipment set
- Standard app modules
- Email, social media and QR code sharing
- Branding and graphics customization
- Web-based content management system
- Online photo gallery
- User data harvesting
- Mirror usage tracker

Featured Apps:



3D Wedding
Boutique